

ANSON (2006)

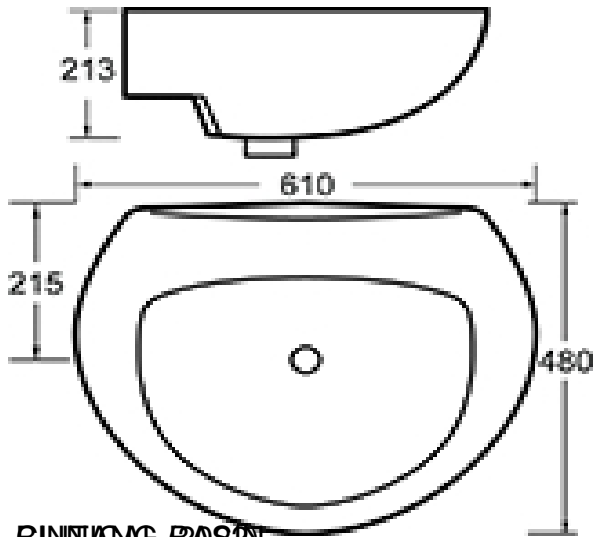
CLINICAL BASIN



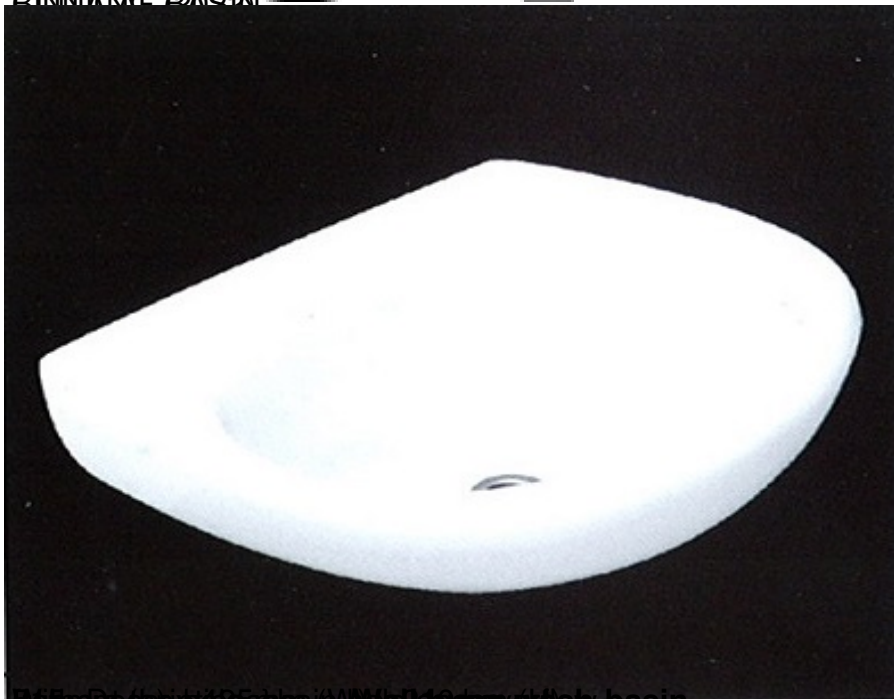
{tab=Descriptions} **Wall hung wash-basin**

Without tap hole, chain hole and overflow
610mm (L) x 480mm (W) x 213mm (H)

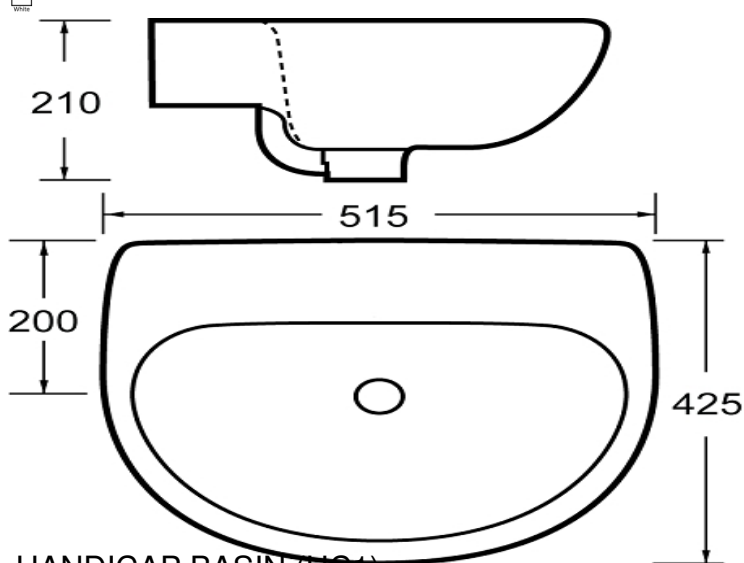




STANDARD BASIN



Corner (V) Handicap wash-basin



HANDICAP BASIN (HC1)



Handicap & Clinical Basin (Wallhung wash-basin)

